

Дата

Клиент

Специалист

Русский
Место печати

Wheelchair measures

Ширина Сиденья (ШС) 33 36 39 42 45 48

Ширина сиденья измеряется от внешних сторон рамы, а расстояние между боковыми щитками на 1 см больше.

Глубина сиденья (ГС) 35 37,5 40 42,5 45 47,5

реальная глубина сиденья от передней части полотна сиденья до трубки спинки будет на 1,5 см больше указанной.

Расстояние до подножки (РП) (Реальное расстояние от сиденья до подножки)

ВНИМАНИЕ! Минимальное расстояние от пола до подножки равно 4см! (Минимальная высота спереди = РП + 4 см).

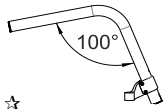
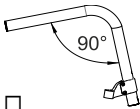
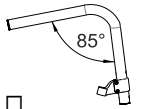
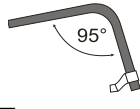
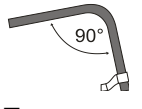
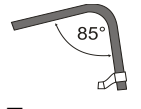
Баланс ☆ Стандартный Пассивный Активный

Высота спинки (ВС) Стандартное значение 33,5(минимум 24.5-максимум 47)

Развал задних ☆ 0° 2°

колес
Front height (STD 49) - Rear height (STD 42)

Front frame

Aluminium frame	☆ Aluminium standard frame				Colour aluminium frame ☆ Bright silver <input type="checkbox"/> Polished black <input type="checkbox"/> Opaque black <input type="checkbox"/> Bright blue <input type="checkbox"/> Bright anthracite <input type="checkbox"/> Bright orange <input type="checkbox"/> Bright fuchsia <input type="checkbox"/> Bright red <input type="checkbox"/> Bright lime <input type="checkbox"/> Bright blue china <input type="checkbox"/> Pearl white
	☆ 	<input type="checkbox"/> 	<input type="checkbox"/> 		
		(max 5" caster)	(max 4" caster)		
Carbon fibre frame	<input type="checkbox"/> Carbon fibre frame	Weight reduction approx. 500gr.		03347 1.200,00	
	<input type="checkbox"/> 	<input type="checkbox"/> 	<input type="checkbox"/> 		
		(max 5" caster)	(max 4" caster)		

Backrest with rake adjustable from -4° to +12°

- ☆ With push handles short
- Sport Without push handles
- Backrest with folding handles




02958 200,00

Support front fork

- ☆ Standard support front fork **Exclude the installation of Front fork FROG LEGS**
- Front fork support with integrated spirit level
- Front fork support V Design



Special Options 2013

- Front fork FROG LEGS (colour: black)
To be matched only with: casters 3" 4" 5"
Exclude the installation of footplates - flip-up!
Not available with Standard support front fork  06426 400,00
- Rear wheels plate extension 01950 120,00
- lockingband/strip to close/fold the wheelchair 06833 20,00
- Drawstring to unlock the back with a single action 06834 100,00

English

Date Order User name Address

Mudguard

- ☆ Carbon fibre mudguard
- Removable carbon fibre mudguard 04109 **200,00**

Armrests

- Swing away armrests (Swing away, removable and height adjustable armrest) 00694 **180,00**
- ☆ Pad STANDARD
- Ergonomic pad (30x6 cm.) 04104 **50,00**



Optional

- Transit wheels 00836 **120,00**
- Anti-tipper with rapid hookup (inside rotation to reduce the encumbrance)
 - Right 00023 **80,00**
 - Left 00024 **80,00**
- Push handles for companion (Removable and height adjustable) 01048 **140,00**
- Tipping aid
 - Right 00025 **50,00**
 - Left 01046 **50,00**
- Crutches support
 - Right 00838 **60,00**
 - Left 00837 **60,00**
- Tetraclip (Quick release axle for quadriplegic) 03947 **120,00**
- Safety pelvic belt 03972 **50,00**
- Harness 04103 **100,00**
- Lumbar support (to insert in the backrest upholstery) 00013 **30,00**
- Swing away lateral support
 - Right 02097 **200,00**
 - Left 02098 **200,00**
- Spoke guards Black (22"-24") 01043 **120,00**
- Spoke guards Transparent (22"-24") 00835 **120,00**
- Spoke guards Progeo design (22"-24") 00019 **140,00**
- Spoke guards Dragon (22"-24") 02106 **140,00**
- 24" Off-road rear wheels (only with aluminium handrim) 03378 **400,00**



P.IVA IT 03182520266 - C.C.I.A.A. TV n.41690 Capitale Sociale I.V. Euro 100.000,00 - Iscr. Trib. TV n.225867

Email: info@rehatemprogeo.com - web: http://www.rehatemprogeo.com

PHYSIO - Posture backrest

Std. Backrest upholstery not provided

- Aluminum shell - Lateral retaining STANDARD 7,5cm
 - Height 25 33 41 05308 **810,00**
 - Height 52 05309 **860,00**
 - Lateral retaining wing A=high B=low
- Aluminum shell - Lateral retaining DEEP 15cm
 - Height 25 33 41 05310 **860,00**
 - H25 not available for seat width 39-42-45-48**
 - Height 52 05311 **910,00**
 - Lateral retaining wing A=high B=low
- Carbon shell - Lateral retaining STANDARD 7,5cm
 - Height 25 33 41 05312 **930,00**
 - Lateral retaining wing A=high B=low

COVER

☆ Cover PLUS with a pocket for personal belongings , a fabric-cover of backrest's rear side and high refraction fabric hems



English

Date Order User name Address

SWING AWAY - Lateral support

- | | | | | |
|--|--------------------------------|--------------|-------------------------------|--------------|
| <input type="checkbox"/> Large (17,5x11,5) | <input type="checkbox"/> Right | 05646 | <input type="checkbox"/> Left | 05647 |
| <input type="checkbox"/> Small (14x9,5) | <input type="checkbox"/> Right | 05642 | <input type="checkbox"/> Left | 05643 |

Not available with Physio backrest with lateral retaining DEEP and in carbon backrest



160,00
160,00

Headrest adjustable - Double ball mounting system

Not available for Physio backrest's height 25 and with carbon shell

- | |
|--|
| <input type="checkbox"/> Large (34x14) |
| <input type="checkbox"/> Small (28x14) |



05648 **360,00**

Note

Rehateam s.r.l. Vicolo Negrèlli, 4 - 31040 Castagnole di Paese (TV) - Tel. +39.0422.484657 / +39.0422.484661 / +39.0422.484684
P.IVA IT 03182520266 - C.C.I.A.A. TV n.225867 - Iscr. Trib. TV n.41690 Capitale Sociale i.v. Euro 100.000,00

Email: info@rehateamprogeo.com - web: http://www.rehateamprogeo.com

Italia Certified company normative UNI EN ISO 9001

Important notice! s page only if any optional have been chosen